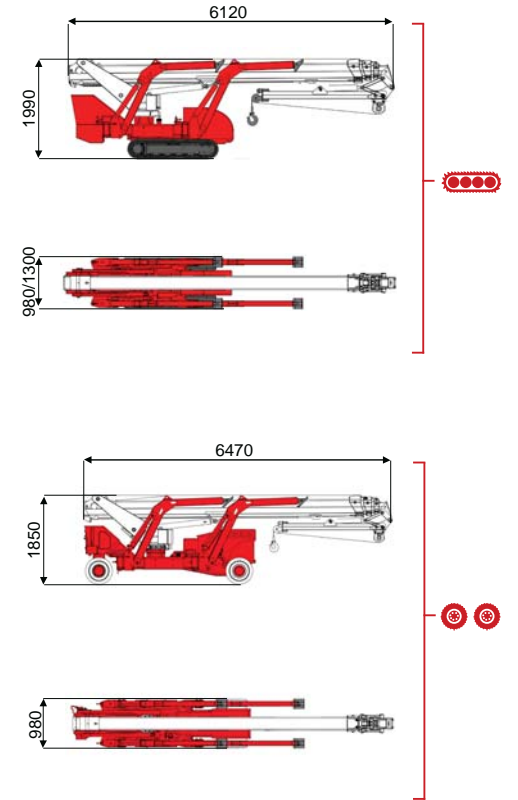
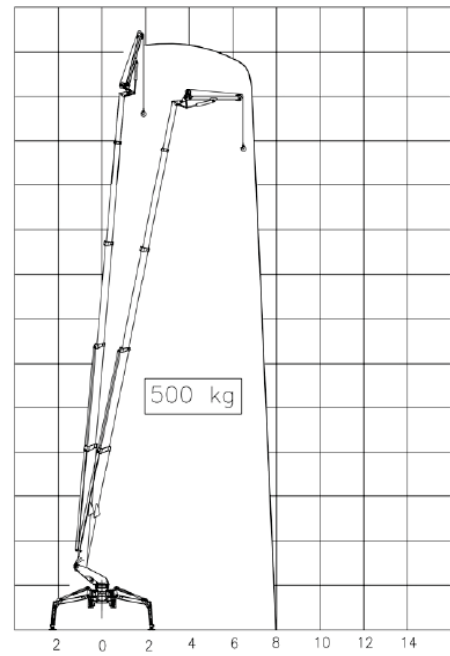




25,5 m ↑  
8 m →  
500 Kg ⚙️



BI-ENERGY  
Diesel+AC



TSJ 27/C	🔋	25,5 m	8 m	500 kg	540°	5 m	26%	40%	1,7 km/h	4580 kg	29 kN	2,20 kN/m <sup>2</sup>	3,95 kN/m <sup>2</sup>	980/1300 mm	6120 mm	1990 mm
TSJ 27/R	🔋🔋	25,5 m	8 m	500 kg	540°	5 m	26%	25%	1,3 km/h	4700 kg	29 kN	2,26 kN/m <sup>2</sup>	3,95 kN/m <sup>2</sup>	980 mm	6470 mm	1850 mm



Battery type



Battery charge



Add. Weight



Autonomy



Charging time

Electropump

			Battery type	Battery charge	Add. Weight	Autonomy	Charging time	Electropump
ECO	DC+AC	🔋	48V 320 A/h 5h	230V-48V 45A	450 kg	6-7 h endless	7h	48V 12 kW
ECO	DC+AC	🔋🔋	48V 270 A/h 5h	230V-48V 45A	400 kg	6-7 h endless	7h	48V 9 kW
HYBRID	Diesel+DC	🔋🔋🔋	24V 240 A/h 5h	230V-24V 35A	200 kg	2-3 h endless	7h	24V 5,5 kW

Characteristics and technical data are informative only and subjected to change without notice.