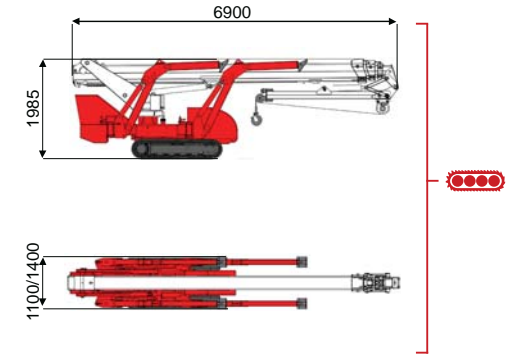
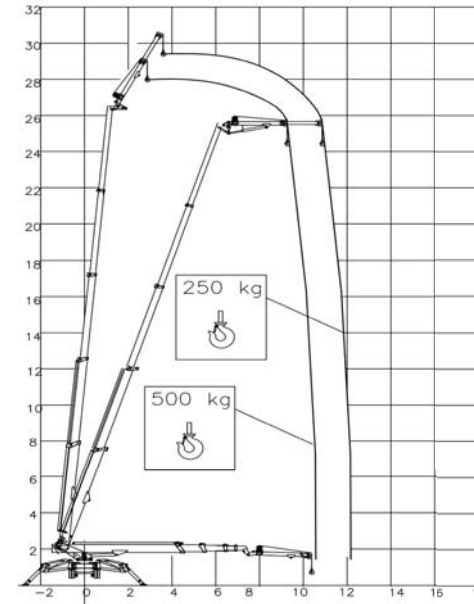




29,5 m ↑
12,3 m →
500 Kg ⚙️



BI-ENERGY
Diesel+AC



XTJ 32/C-R



29,5 m

12,3 m

500 kg

540°

4,7 m

15%

40%

3,0 km/h

5940 kg

35 kN

2,62 kN/m²

4,53 kN/m²

1100/1400 mm

6900 mm

1985 mm



Battery type



Battery charge



Add. Weight



Autonomy



Charging time

Electropump

| ECO | DC+AC | | 48V 320 A/h 5h | 230V-48V 45A | 450 kg | 6-7 h endless | 7h | 48V 12 kW | |
|--------|-----------|--|----------------|--------------|--------|---------------|----|------------|--|
| ECO | DC+AC | | 48V 270 A/h 5h | 230V-48V 45A | 400 kg | 6-7 h endless | 7h | 48V 9 kW | |
| HYBRID | Diesel+DC | | 24V 240 A/h 5h | 230V-24V 35A | 200 kg | 2-3 h endless | 7h | 24V 5,5 kW | |

Characteristics and technical data are informative only and subjected to change without notice.