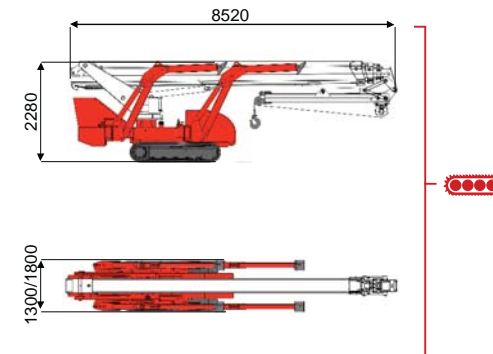
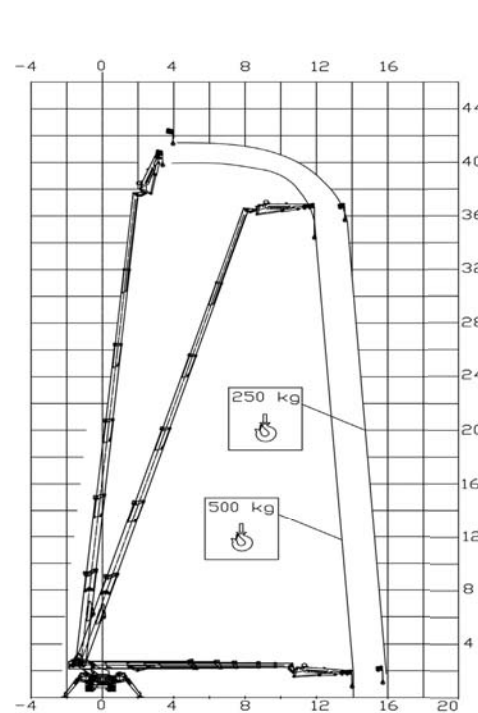




42 m ↑
16 m →
500 Kg ⚙️



BI-ENERGY
Diesel+AC



XTJ 43/C-R 42 m 16 m 500 kg 660° 5,33 m 25% 40% 2,25 km/h 10900 kg 75 kN 4,06 kN/m² 5,33 kN/m² 1350/1800 mm 8520 mm 2280 mm



Battery type



Battery charge



Add. Weight



Autonomy



Charging time

Electropump

ECO DC+AC 48V 270 A/h 5h 230V-48V 45A 400 kg 6-7 h endless 7h 48V 9kW



Palazzani Industrie S.p.A.
Via del Pavione, 4
25050 - Paderno F.C. (BS) - Italy
Tel. (+39) 0306857073 Fax (+39) 030657079
platforms@palazzani.it
www.palazzani.it

COMPANY WITH
QUALITY SYSTEM
CERTIFIED BY DNV GL
= ISO 9001 =

NC 443 A 16