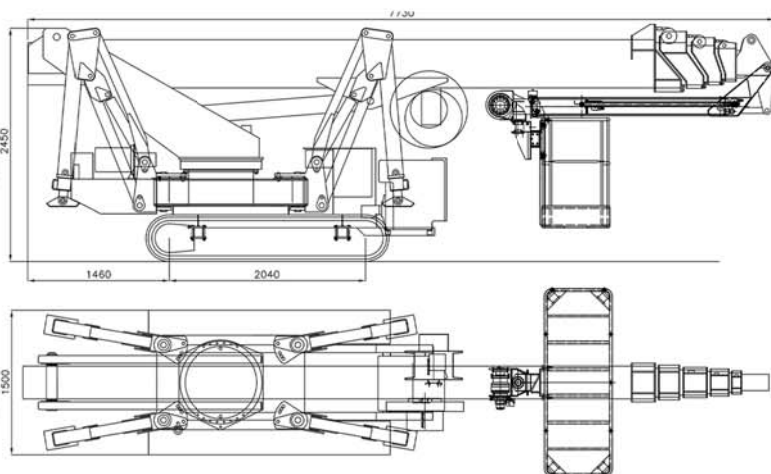
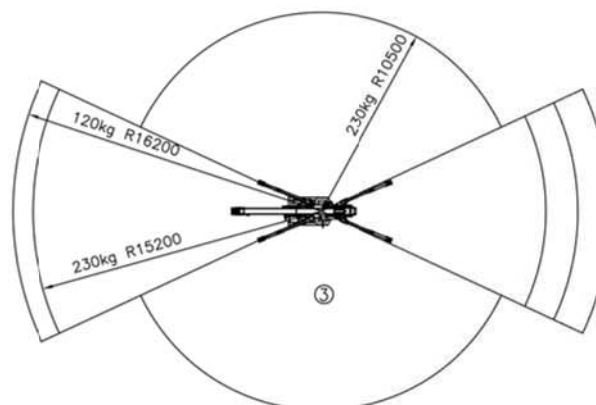
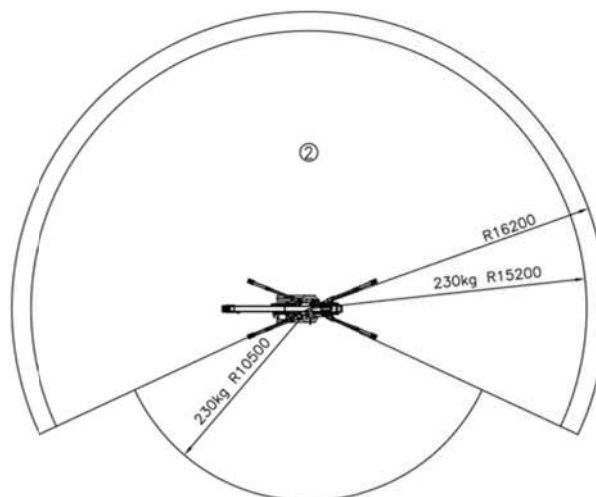
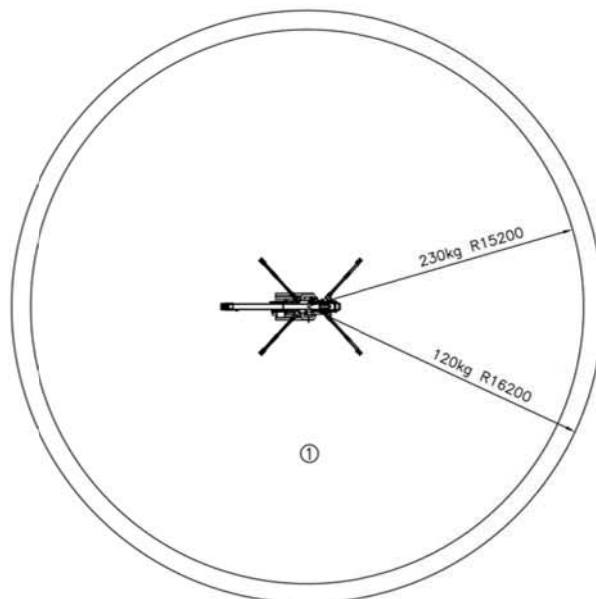
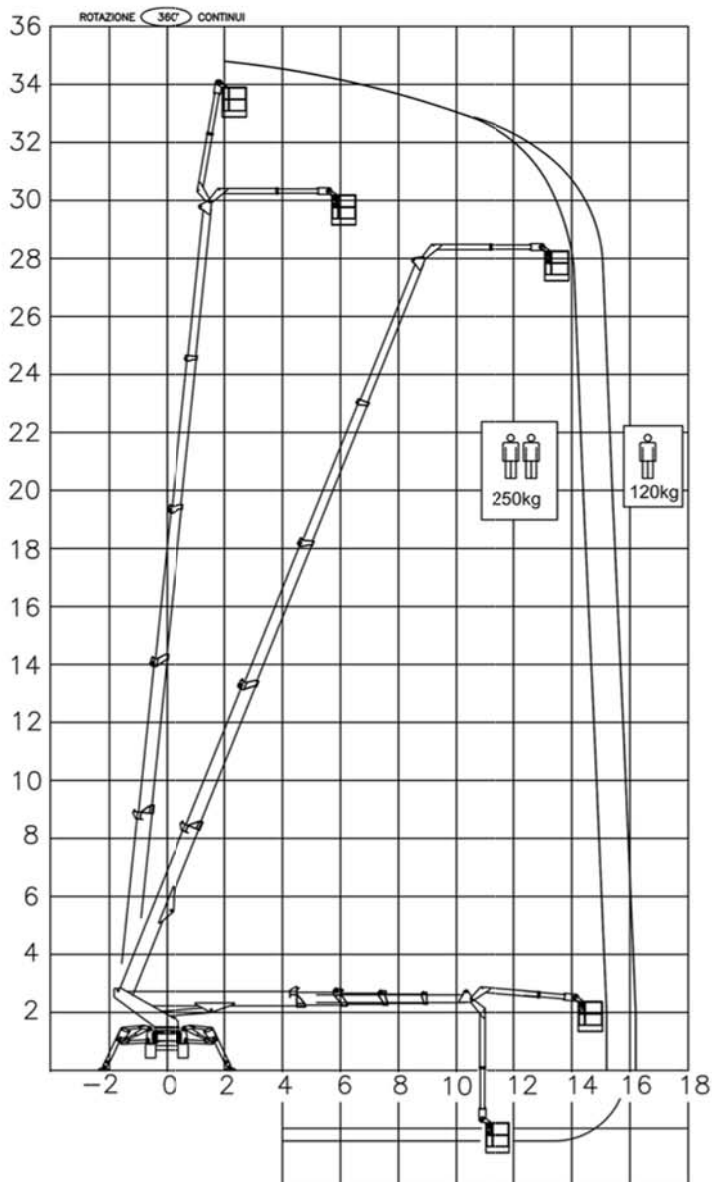


The new RAGNO generation



35m	16 m	230kg	175°	660°	180x70cm	90°+80°	2,9-4,6m	23%	
40%	2,5km/h	7800kg	47 kN	3,49kN/m ²	5,27kN/m ²	1500mm	7730mm	2450mm	

RAGNO XTJ 35/C



Palazzani
INDUSTRIE

25050 PADERNO F.C. (BS) - ITALY
Tel: ++39 030 6857073 - Fax: ++39 030 657079
www.palazzani.it - platforms@palazzani.it

COMPANY WITH
QUALITY SYSTEM
CERTIFIED BY DNV
= ISO 9001 =

NC 361 A 13